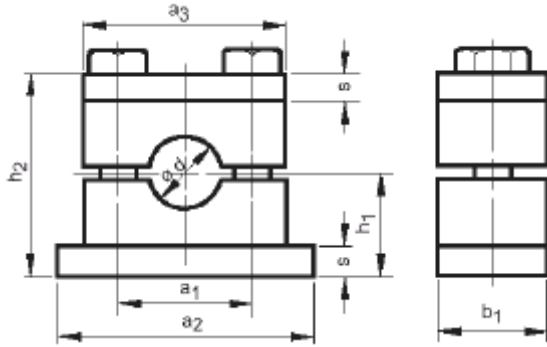


TUBE CLAMPS DIN 3015

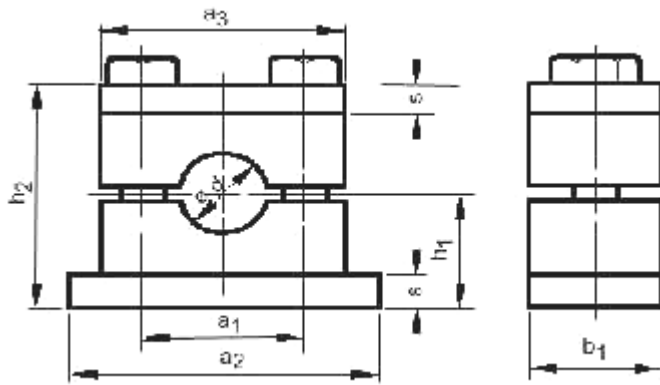


PIPE CLAMP DIN 3015 PART 1—STANDARD SERIES



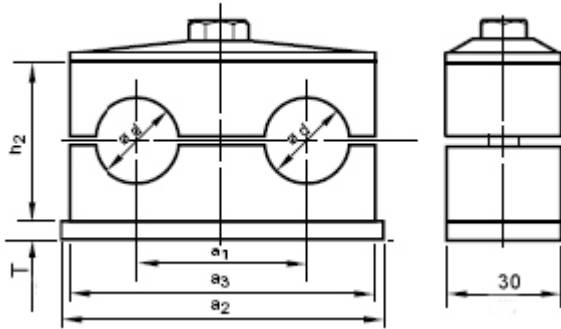
DIN /ME GROUP	PIPE OD D dia	a ₂	a ₃	a ₁	T	h ₂	BOLT SIZE
1	4	43	37	20	3	33	M6x30
	6						
	6.4						
	8						
	9.5						
	10						
2	12	48	42	26	3	39	M6x35
	12.7						
	13.5						
	14						
	15						
	16						
3	17.2	56	50	33	3	42	M6x40
	18						
	19						
	20						
4	21.3	65	59	40	3	48	M6x45
	22						
	25						
5	26.9	77	71	52	3	64	M6x60
	28						
	30						
	32						
	33.7						
	35						
6	38	92	86	66	3	72	M6x70
	40						
	42						
	44.5						
	48.3						
	50.8						

PIPE CLAMP DIN 3015 PART 2—HEAVY SERIES



DIN /ME GROUP	PIPE OD- Dia	a3	a1	h2	g	b1	a2	s	BOLT SIZE
1	6	55	33	48	0.6 MIN	30	70	8	M10x45
	6.4								
	8								
	9.5								
	10								
	12								
	12.7								
	13.5								
	14								
	15								
	16								
2	17.2	70	45	64	0.6 MIN	30	85	8	M10x60
	18								
	19								
	20								
	21.3								
	22								
	25								
	26.9								
	28								
	30								
	30								
3	33.7	85	60	76	0.6 MIN	30	100	8	M10x70
	35								
	38								
	42								
	42								
4	48.3	115	90	117	2 MIN	45	140	10	M12x100
	50.8								
	60.3								
	63.5								
	65								
	70								
5	73	152	122	140	2 MIN	60	180	10	M16x130
	76.1								
	88.9								
	102								
6	114	206	168	197	2 MIN	80	226	15	M20x190
	127								
	133								
	141								
7	152	251	205	230	3 MIN	91	270	15	M24x225
	152								
	168								

PIPE CLAMP DIN 3015 PART 3—TWIN SERIES



DIN /ME GROUP	PIPE OD d dia	a ₂	a ₃	a ₁	T	h ₂	Bolt Size
1	6	42	36	20	3	27	M6 x 35
	6.4						
	8						
	9.5						
	10						
2	12	59	53	29	5	27	M8 x 35
	12.7						
	13.5						
	14						
	15						
	16						
3	17.2	74	67	36	5	37	M8 x 45
	18						
	19						
	20						
	21.3						
4	22	86	80	45	5	40	M8 x 50
	25						
	26.9						
5	28	112	106	56	5	53	M8 x 60
	30						
	32						
	33.7						
	35						
	38						
5	40	112	106	56	5	53	M8 x 60
	42						

PIPE CLAMP DIN 3015 PART 1—STANDARD SERIES

JAWS MATERIAL CODE:
 POLYPROPYLENE — PP
 POLY AMIDE — PA
 ALUMINUM — AL

PLATE MATERIAL CODE:
 STEEL : NO CODE
 S.S.316: SS

JAWS ORDER CODE:
 GROUP—MATERIAL CODE—
 PIPE OD - PART CODE

e.g: FOR JAWS:
 1-PP-06-JPCL=6MM OD PP
 CLAMP HALVES STANDARD
 SERIES

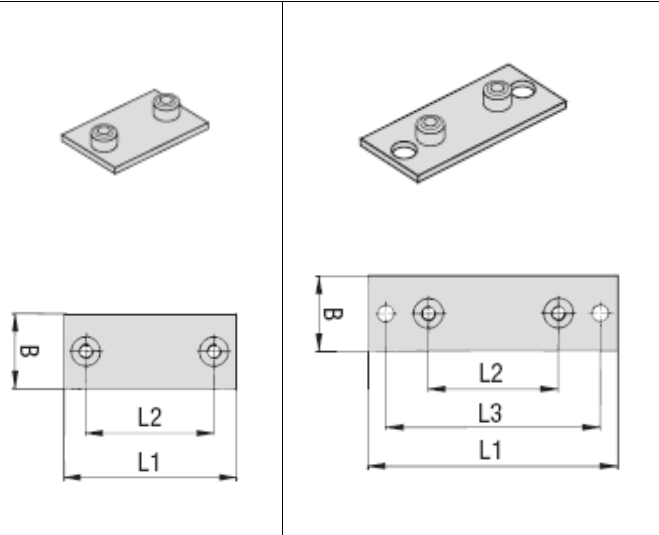
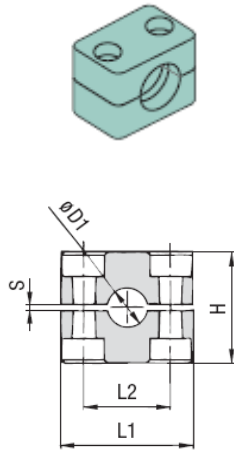
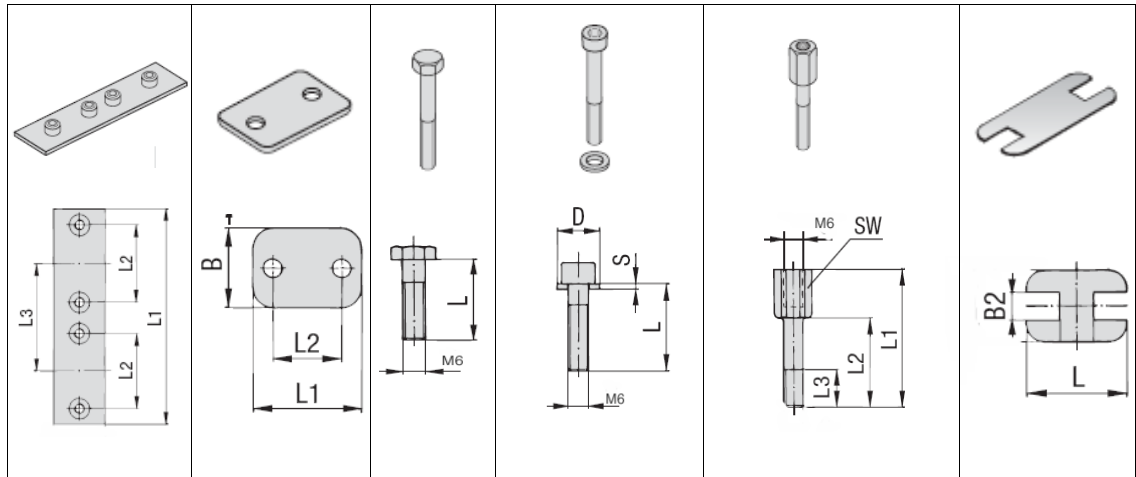


PLATE WIDTH = 30MM / THICKNESS = 3MM

		2CLAMP HALVES [JAWS]- JPCL					Single Weld Plate - BP		ELONGATED WELD PLATE - EBP			
DIN /ME GROUP	PIPE OD D1 dia	L1	L2	H	S	WIDTH	L1	L2	L1	L2	L3	Mounting Hole Dia
1	6	37	20	27	0.4 MIN	30	BP1		EBP1			
	6.4						43	20	64	20	50	6.5
	8											
	9.5											
	10											
12												
2	12.7	42	26	33	0.6 MIN	30	BP2		EBP2			
	13.5						48	26	70	26	56	6.5
	14											
	15											
	16											
17.2												
18												
3	19	50	33	36	0.6 MIN	30	BP3		EBP3			
	20						56	33	78	33	64	6.5
	21.3											
	22											
25												
4	26.9	59	40	42	0.6 MIN	30	BP4		EBP4			
	28						65	40	87	40	73	6.5
	30											
5	32	71	52	58	0.8 MIN	30	BP5		EBP5			
	33.7						77	52	100	52	86	6.5
	35											
	38											
	40											
42												
6	44.5	86	66	66	0.8 MIN	30	BP6		EBP6			
	48.3						92	66	115	66	100	6.5
	50.8											

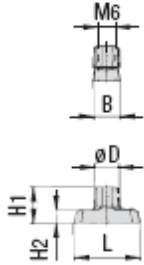
PIPE CLAMP DIN 3015 PART 1—STANDARD SERIES



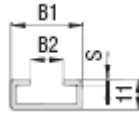
DIN /ME GROUP	PIPE OD D dia	TWIN WELD PLATE - TBP			TOP PLATE - TP			HEX BOLT - HB	SOCKET HEAD BOLT - SB			STACKING BOLT - STB				STACKING PLATE - SP	
		L1	L2	L3	L1	L2	HOLE DIA	DIN931/933	DIN 912			L1	L2	L3	SW	L	B2
								G x L	GxL	D	S						
1	6	TBP1			TP1			HB1	SB1			STB1				SP1	
	6.4																
	8																
	9.5	77	20	37	37	20	7	M6x30	M6x20	11	0.8	34	20	12 MIN	11	37	11.1
	10																
2	12																
	12.7	TBP2			TP2			HB2	SB2			STB2				SP2	
	13.5																
	14																
	15	86	26	44	42	26	7	M6x35	M6x25	11	0.8	40	25	12 MIN	11	42	11.1
3	16																
	17.2																
	18																
	19	TBP3			TP3			HB3	SB3			STB3				SP3	
	20																
4	21.3	102	33	52	50	33	7	M6x40	M6x30	11	0.8	44	30	12 MIN	11	50	11.1
	22																
	25																
	26.9	TBP4			TP4			HB4	SB4			STB 4				SP4	
5	28	120	40	60	59	40	7	M6x45	M6x35	11	0.8	48	35	12 MIN	11	59	11.1
	30																
5	32	TBP5			TBP5			HB5	SB5			STB 5				SP5	
	33.7																
	35																
	38	163	52	75	71	52	7	M6x60	M6x50	11	0.8	64	50	12 MIN	11	71	11.1
	40																
6	42																
	44.5	TBP6			TBP6			HB6	SB6			STB 6				SP6	
	48.3	178	66	90	86	66	7	M6x70	M6x60	11	0.8	73	60	12 MIN	11	86	11.1
	50.8																

PIPE CLAMP DIN 3015 PART 1—STANDARD SERIES

ASSEMBLY DETAILS & ORDER CODE



L	B	H1	H2	ØD
25,5	10,2	13,5	5,5	12



B1	B2	S
26	11	2

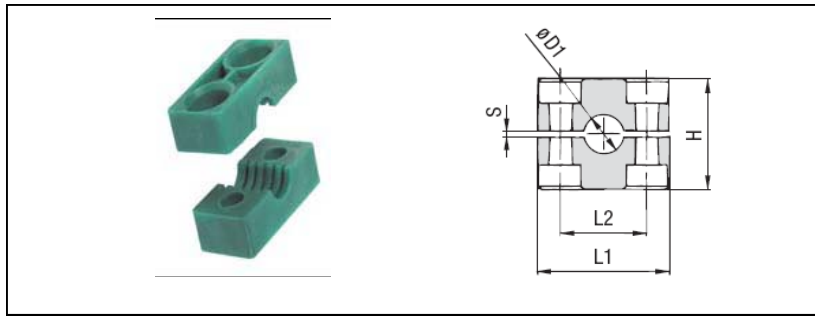
PCL	PCL1	PCL2	PCL3	PCL4
TUBE CLAMP WITH TOP PLATE, BOTTOM PLATE & HEX BOLT	TUBE CLAMP WITH BOTTOM PLATE & SOCKET HEAD BOLT	TUBE CLAMP WITH SOCKET HEAD BOLT & RAIL NUT	TUBE CLAMP WITH HEX BOLT, TOP PLATE & RAIL NUT	TUBE CLAMP WITH MULTI LEVEL ASSEMBLY STACKING BOLT, STACKING PLATE & BOTTOM PLATE
JAWS MATERIAL CODE: POLYPROPYLENE — PP POLY AMIDE — PA ALUMINUM — AL	JAWS MATERIAL CODE: POLYPROPYLENE — PP POLY AMIDE — PA ALUMINUM — AL	JAWS MATERIAL CODE: POLYPROPYLENE — PP POLY AMIDE — PA ALUMINUM — AL	JAWS MATERIAL CODE: POLYPROPYLENE — PP POLY AMIDE — PA ALUMINUM — AL	JAWS MATERIAL CODE: POLYPROPYLENE — PP POLY AMIDE — PA ALUMINUM — AL
PLATE MATERIAL CODE: STEEL : NO CODE S.S.316: SS	PLATE MATERIAL CODE: STEEL : NO CODE S.S.316: SS	RAIL NUT MATERIAL CODE: STEEL : NO CODE S.S.316: SS	FASTNER MATERIAL CODE: STEEL : NO CODE S.S.316: SS	FASTNER & PLATE MATERIAL CODE: STEEL : NO CODE S.S.316: SS
ORDER CODE: GROUP SIZE—PCL—JAW MAT -TUBE OD— PLATE MATERIAL	ORDER CODE: GROUP SIZE—PCL1—JAW MAT -TUBE OD— PLATE MATERIAL	ORDER CODE: GROUP SIZE—PCL2—JAW MAT -TUBE OD— RAIL NUT MATERIAL	ORDER CODE: GROUP SIZE—PCL3—JAW MAT -TUBE OD— PLATE & RAIL NUT MATERIAL	ORDER CODE: GROUP SIZE—PCL4— JAW MAT -TUBE OD— PLATE & FASTNER MATERIAL
e.g.: for 6mmOD standard Series tube clamp with SS316 Top Plate , bottom plate & fastener & PP jaws	Order code will be 1-PCL-PP-06-SS			

PIPE CLAMP DIN 3015 PART 2—HEAVY SERIES

JAWS MATERIAL CODE:
 POLYPROPYLENE — PP
 POLY AMIDE — PA
 ALUMINUM — AL

JAWS ORDER CODE:
 GROUP—MATERIAL CODE—PIPE OD -
 PART CODE

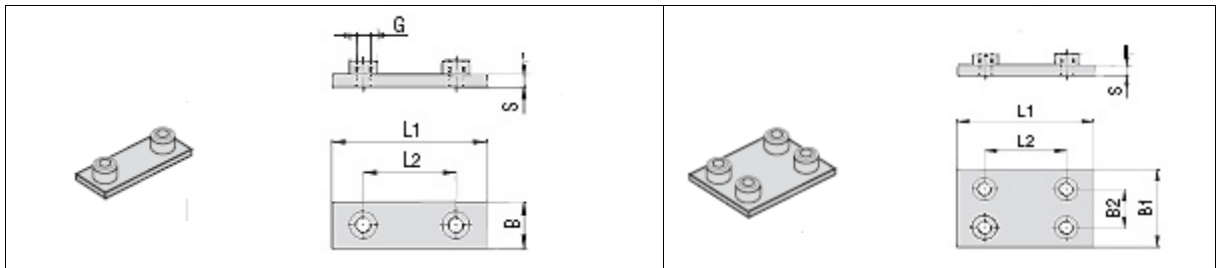
e.g: FOR JAWS:
 1-PP-06-JPCH=6MM OD PP CLAMP
 HALVES HEAVY SERIES



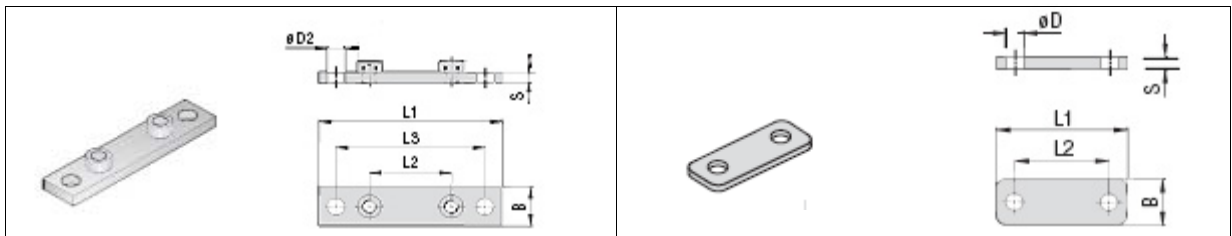
DIN /ME	PIPE OD-Dia D1			JAWS - JPCH					
	GROUP	MM	INCH OD	INCH NB	L1	L2	H	S	WIDTH
1	6								
	6.4	1/4"							
	8								
	9.5	3/8"							
	10			G1/8					
	12								
	12.7	1/2"			55	33	32	0.6 MIN	30
	13.5			G1/4					
	14								
	15								
16	5/8"								
17.2			G3/8						
18									
2	19	3/4"							
	20								
	21.3			G1/2					
	22								
	25	1"			70	45	48	0.6 MIN	30
	26.9			G3/4					
28									
30									
3	30								
	32	1 1/4"							
	33.7			G1					
	35								
	38	1 1/2"			85	60	60	0.6 MIN	30
42			G1 1/4						
4	38	1 1/2"							
	42			G 1 1/4					
	48.3	2"		G 1 1/2					
	50.8								
	55								
	57	2 1/4"			115	90	89	2 MIN	45
	60.3			G2					
	63.5	2 1/2"							
65									
70	2 3/4"								
5	70								
	73			G 2 1/2					
	75								
	76.1	3"			152	122	120	2 MIN	60
	80								
	88.9	3 1/2"		G3					
6	102	4"							
	108	4 1/4"							
	114.3	4 1/2"		G4					
	127	5"			206	168	167	2 MIN	80
	133	5 1/4"							
7	140	5 1/2"		G5					
	152	6"			251	205	200	3 MIN	91
	168			G6					

PIPE CLAMP DIN 3015 PART 2—HEAVY SERIES

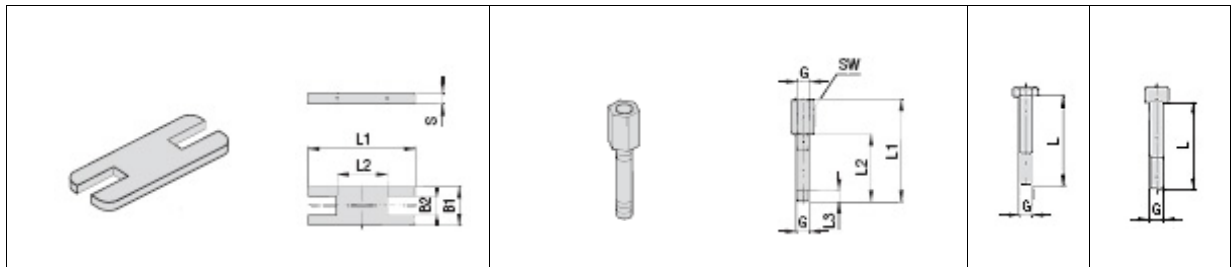
MATERIAL: STEEL / S.S.316—SURFACE FINISH: PHOSPHATES / TRIVALENT / ZINC-BI CHROMATED



DIN /ME GROUP	BOTTOM PLATE [BPH]					ME PART NO.	DOUBLE BOTTOM PLATE [DBPH]					ME PART NO.
	L1	L2	G	S	B		L1	L2	B2	S	B	
1	70	33	M10	8	30	BPH1	70	33	30.5	8	60	DBPH1
2	85	45	M10	8	30	BPH2	85	45	30.5	8	60	DBPH2
3	100	60	M10	8	30	BPH3	100	60	30.5	8	60	DBPH3
4	140	90	M12	10	45	BPH4	140	90	46	10	90	DBPH4
5	180	122	M16	10	60	BPH5	180	122	61	10	120	DBPH5
6	226	168	M20	15	80	BPH6	226	168	81	15	160	DBPH6
7	270	205	M24	15	91	BPH7	270	205	91	15	180	DBPH7

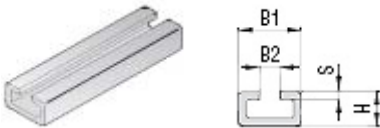
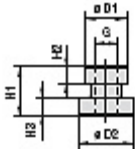


DIN /ME GROUP	ELONGATED BOTTOM PLATE [EBPH]					ME PART NO.	TOP PLATE [TPH]					ME PART NO.
	L1	L2	L3	S	D2		L1	L2	D DIA	S	B	
1	113	33	30.5	8	13	EBPH1	55	33	11	8	30	TPH1
2	125	45	30.5	8	13	EBPH2	70	45	11	8	30	TPH2
3	140	60	30.5	8	16	EBPH3	85	60	11	8	30	TPH3
4	187	90	46	10	21	EBPH4	115	90	14	10	45	TPH4
5	238	122	61	10	26	EBPH5	152	122	18	10	60	TPH5
6	309	168	81	15	31	EBPH6	206	168	22	15	80	TPH6
7	370	205	91	15	31	EBPH7	251	205	26	15	91	TPH7

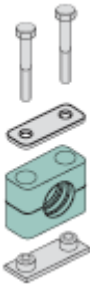

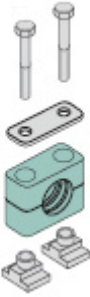
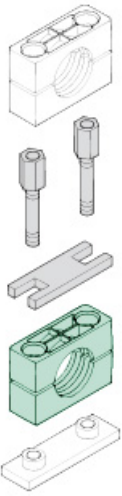


DIN /ME GROUP	STACKING PLATE					ME PART NO.	STACKING BOLT					ME PART NO.	HEX BOLT	SOCKET HEAD BOLT
	L1	L2	B1	B2	S		G	L1	L2	L3	SW		GxL	GxL
1	56	13	30	15.2	8	SPH1	M10	49	25	15	15	SBH1	M10x45	M10x30
2	70	32	30	15.2	8	SPH2	M10	65	40	15	15	SBH2	M10x60	M10x40
3	85	40	30	15.2	8	SPH3	M10	77	51	15	15	SBH3	M10x70	M10x50
4	116	68	45	17.2	10	SPH4	M12	110	82	18	17	SBH4	M12x100	M12x80
5	153	96	60	22	10	SPH5	M16	144	110	24	21	SBH5	M16x130	
6	206	130	80	28	15	SPH6	M20	200	150	30	27	SBH6	M20x190	
7	251	166	90	31	15	SPH7	M24	240	180	50	30	SBH7	M24x220	

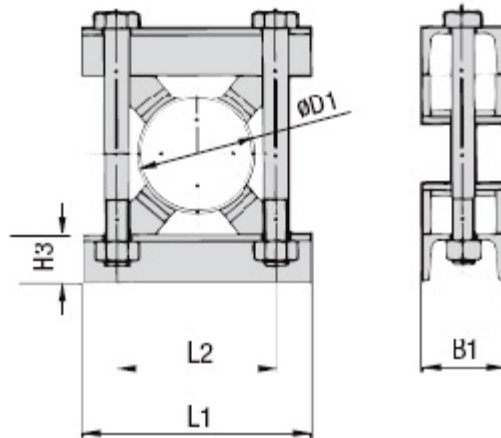
PIPE CLAMP DIN 3015 PART 2—HEAVY SERIES

												
DIN /ME GROUP	MOUNTING RAIL - MRH				ME PART NO.	RAIL NUT—RNH						ME PART NO.
	B1	B2	H	S		D2	H1	H2	H3	D1	G	
1 TO 3	40	14	22	5	MRH	24	21.5	7.6	7.4	17.8	M10	RNH
4	40	14	22	5		24	23	8.8	8.2	19.8	M12	RNH4

PIPE CLAMPS ASSEMBLY DETAILS & ORDER CODE

			
PCH	PCH1	PCH2	PCH3
TUBE CLAMP WITH TOP PLATE, BOTTOM PLATE & HEX BOLT	TUBE CLAMP WITH TOP & BOTTOM PLATE & SOCKET HEAD BOLT	TUBE CLAMP WITH TOP PLATE & RAIL NUT	TUBE CLAMP WITH MULTI LEVEL ASSEMBLY STACKING BOLT, STACKING PLATE & BOTTOM PLATE
JAWS MATERIAL CODE: POLYPROPYLENE — PP POLY AMIDE — PA ALUMINUM — AL	JAWS MATERIAL CODE: POLYPROPYLENE — PP POLY AMIDE — PA ALUMINUM — AL	JAWS MATERIAL CODE: POLYPROPYLENE — PP POLY AMIDE — PA ALUMINUM — AL	JAWS MATERIAL CODE: POLYPROPYLENE — PP POLY AMIDE — PA ALUMINUM — AL
PLATE MATERIAL CODE: STEEL : NO CODE S.S.316: SS	PLATE MATERIAL CODE: STEEL : NO CODE S.S.316: SS	RAIL NUT MATERIAL CODE: STEEL : NO CODE S.S.316: SS	FASTNER MATERIAL CODE: STEEL : NO CODE S.S.316: SS
ORDER CODE: GROUP SIZE—PCL—JAW MAT -TUBE OD— PLATE MATERIAL	ORDER CODE: GROUP SIZE—PCL1—JAW MAT -TUBE OD— PLATE MATERIAL	ORDER CODE: GROUP SIZE—PCL2—JAW MAT -TUBE OD— RAIL NUT MATERIAL	ORDER CODE: GROUP SIZE—PCL3—JAW MAT -TUBE OD— PLATE & RAIL NUT MATERIAL
e.g.: for 6mmOD heavy Series tube clamp with Steel Top Plate , bottom plate & fastener & PP jaws	Order code will be 1-PCH-PP-06		

CONSTRUCTION SERIES CLAMP



Pipe-O.D. Ø D1 mm in	L1	L2	H3	B1	Hexagon Head Bolt	Number of plastic pads
220 to 275 8.66 to	420 16.54 "	330 12.99 "	75 3 "	150 6 "	M30 x 420	4
276 to 325 10.87 to	460 18.11 "	370 14.57 "	75 3 "	150 6 "	M30 x 460	4
326 to 370 12.83 to	510 20.08 "	420 16.53 "	75 3 "	150 6 "	M30 x 500	4
371 to 425 14.61 to	570 22.44 "	480 18.89 "	75 3 "	150 6 "	M30 x 560	4
426 to 485 16.77 to	620 24.41 "	530 20.87 "	75 3 "	150 6 "	M30 x 590	4
486 to 550 19.13 to	680 26.77 "	590 23.23 "	75 3 "	150 6 "	M30 x 720	4
551 to 630 21.69 to	760 29.92 "	670 26.38 "	75 3 "	150 6 "	M30 x 800	5
631 to 715 24.84 to	845 33.27 "	755 29.72 "	75 3 "	150 6 "	M30 x 884	5
716 to 800 28.19 to	940 37.00 "	850 33.46 "	75 3 "	150 6 "	M30 x 970	5

BECAUSE OF TECHNICAL ADVANCES, DIMENSIONS ARE SUBJECT TO CHANGE WITHOUT NOTIFICATION